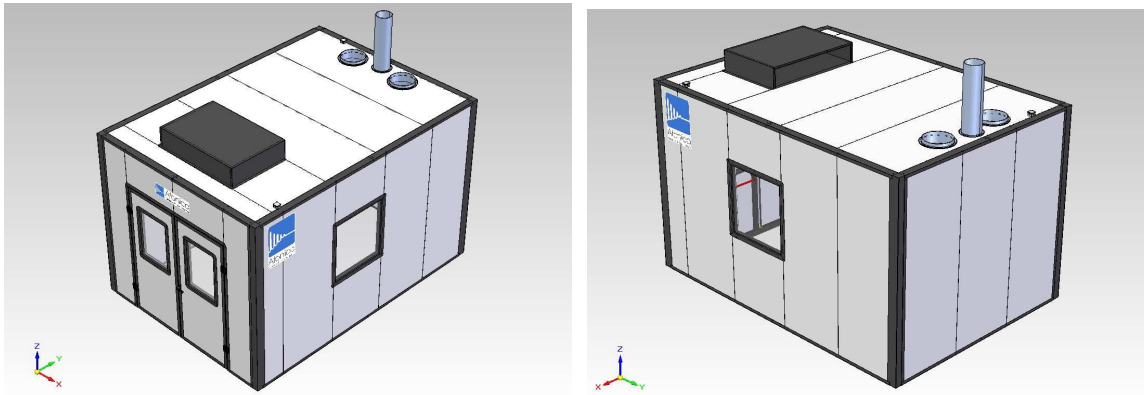
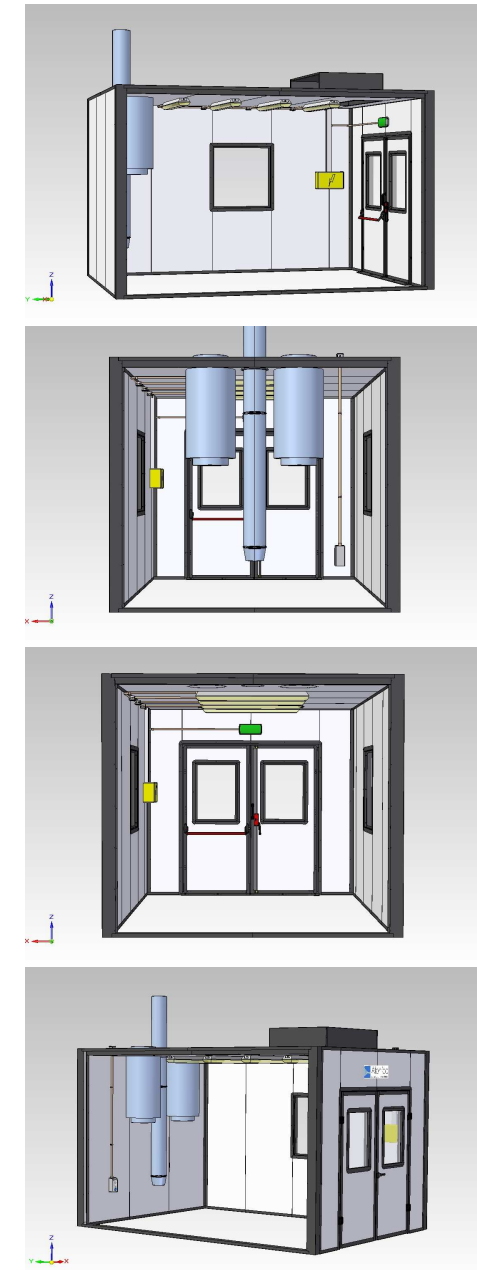
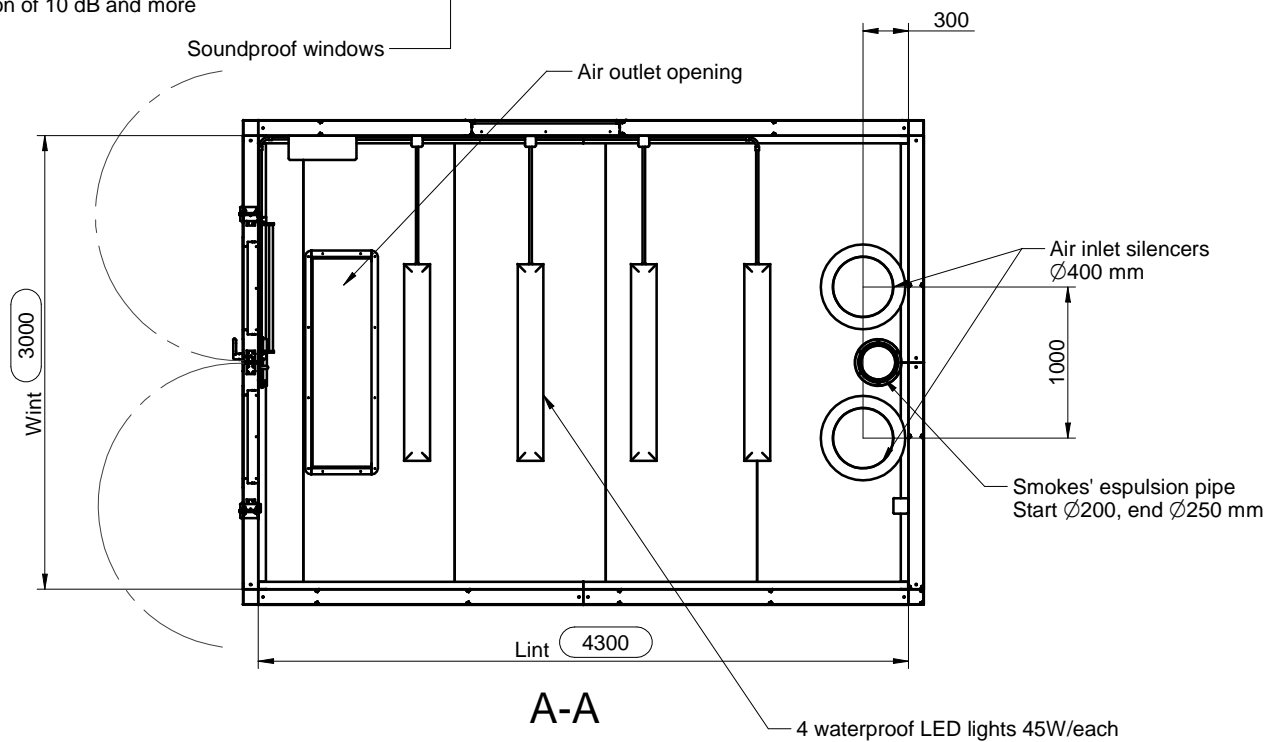
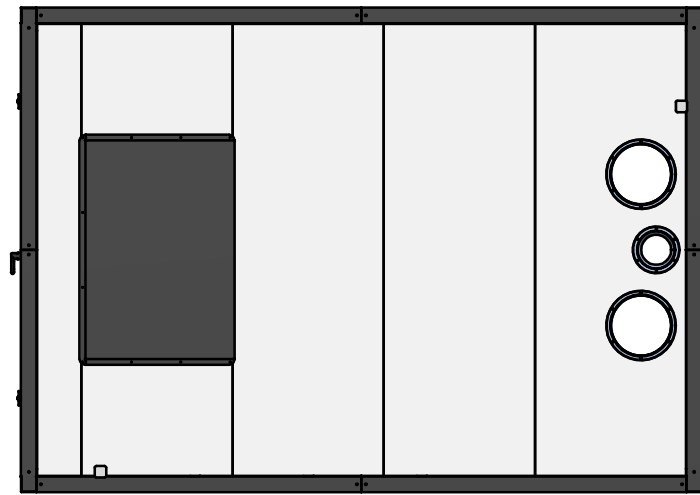
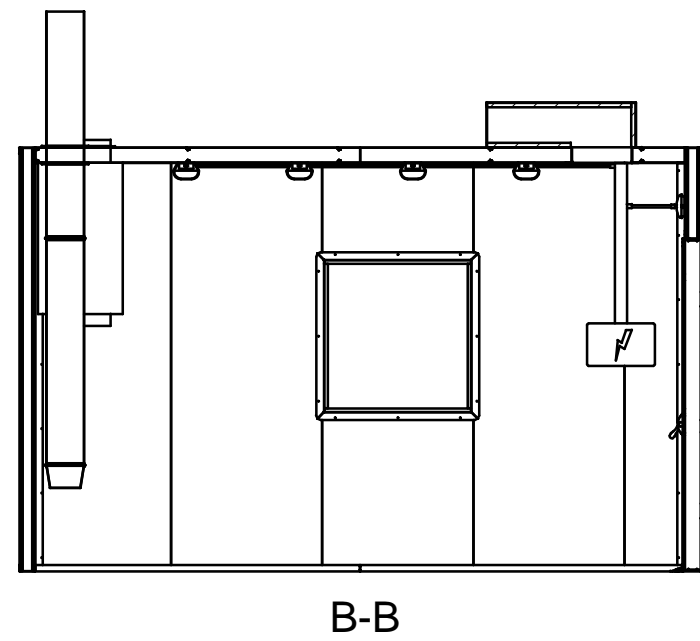
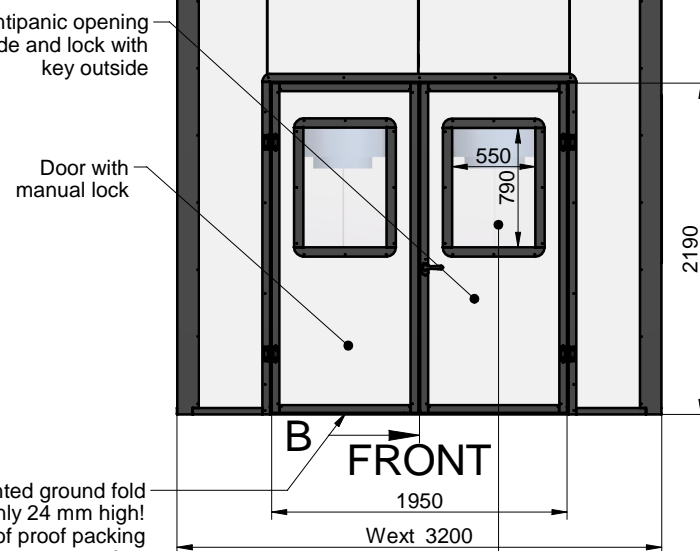
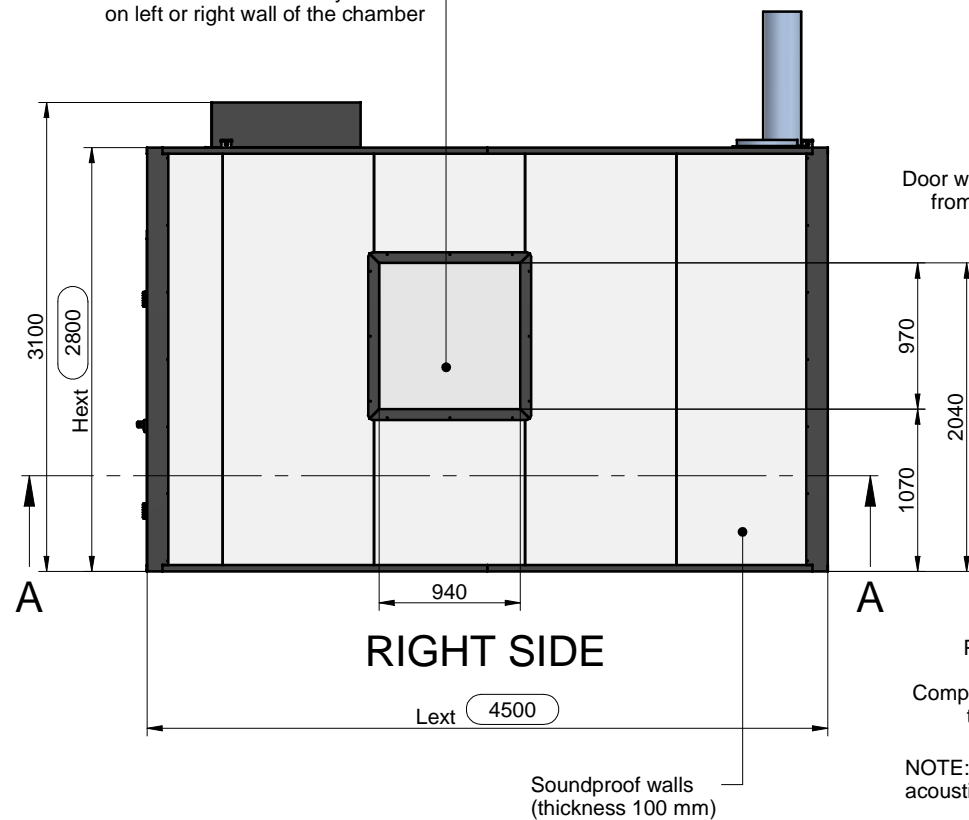


1 wide windows for internal view:  
soundproof laminated glasses  
in double layer  
NOTE: indifferently settable  
on left or right wall of the chamber

Steel estetic and structural profiles  
epossidic powder oven painted  
(list of different colours available)



**CERTIFIED ACOUSTIC INSULATION: R'w >= 39 dB**

RIF. OFF. N°	---	UNITA'	mm; °
COMMESSA	---	DATA	2019-01-16
TITOLO	Layout Assembly MPF-433027		
DIS N°	MPF-433027i2Lf-AM-001-LY00	REV	
AUTORE	DS	SCALA	1:50
		SIZE	A3

**Afonica**  
Ambients for Engine Testing

www.afonica.it  
Tel: 0445 397 118  
Fax: 0445 398 078  
E-mail: info@afonica.it