



Afonica

Ambients for Engine Testing

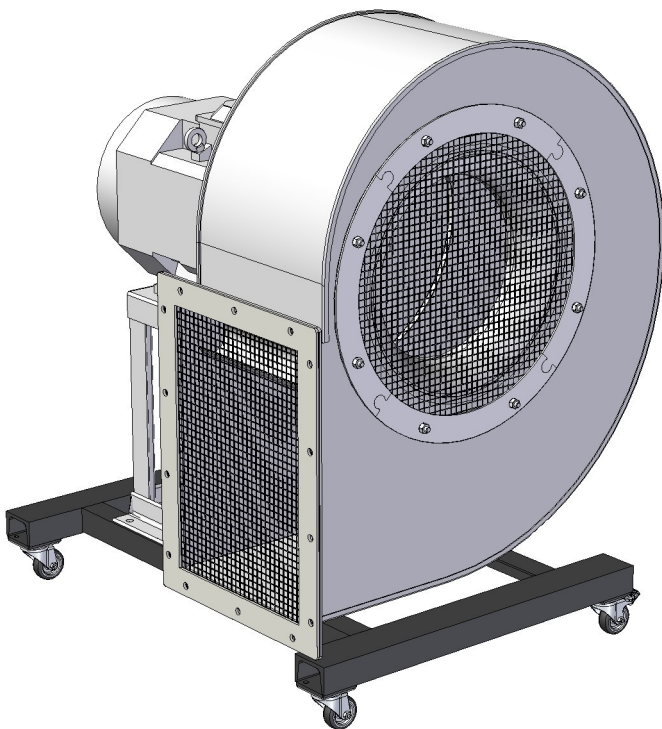


Frontal Cooling Fans

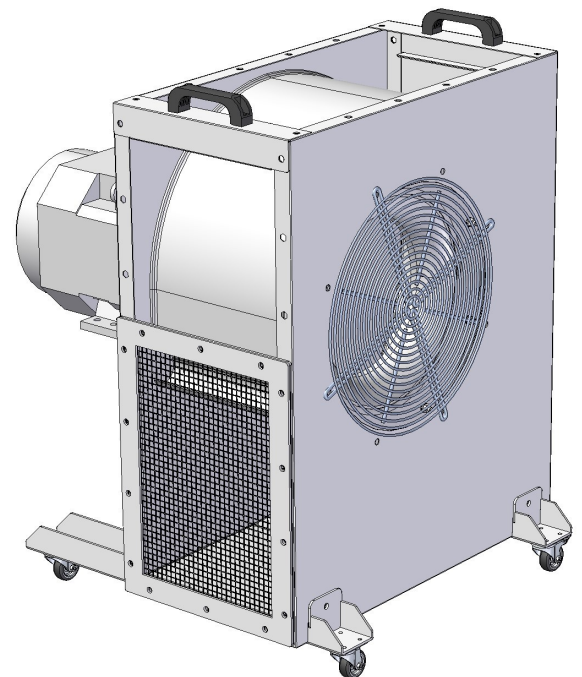
Afonica provides its customers with the experience and quality gained in over a decade of work carried out to perfection in the sector of soundproofing cabins for engine test rooms.

The standard fans dedicated to vehicle cooling are described below.

In addition to what is described below, Afonica manufactures customized products and/or on specific request to meet the specific needs of each customer, situation, context, performance.



Standard version



Guarded version



Centrifugal Frontal Cooling Fan

Devices designed to generate an airflow (fixed or variable) of high flow rate and high pressure (so as to overcome the pressure drops of the radiators and cross them to obtain the necessary heat exchange) to be directed to the cooling radiator of the vehicle running on the test bench, so as to allow the correct dissipation of heat and the safe performance of power tests.

Available in various versions to satisfy every need.

Characteristics

- Backward curved centrifugal fan with three-phase motor of 3, 4 or 5.5 kW (3-phase or single-phase)
- Supplied on trolley (Fig. 1) equipped with 4 swivel castors, 2 of which with brakes
- Height adjustable trolley available
- Available discharge nozzle for realization of maximum speed of 125 km/h of the air flow
- Available fan speed control by means of inverter motor with wireless remote control (Fig. 2)
- Standard colour: RAL 7044 (optional carpentry color of your choice)

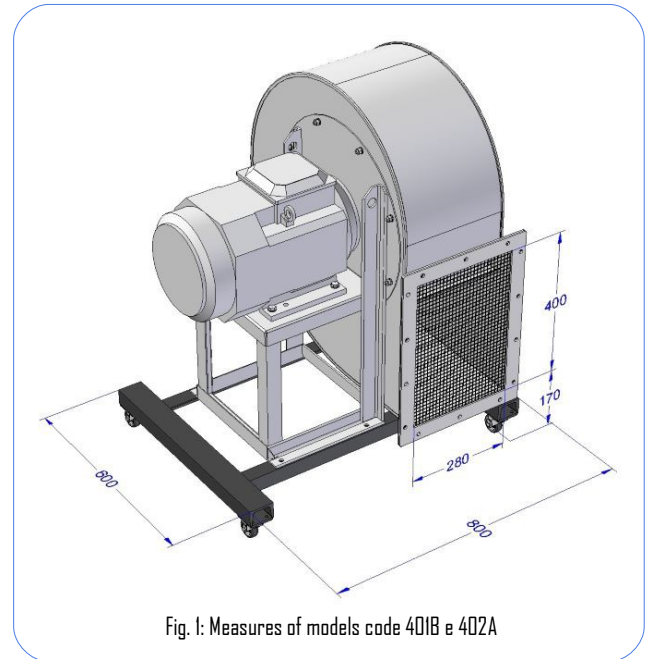


Fig. 1: Measures of models code 401B e 402A

#	Code	Descrizione	Power	Voltage	Phases	Flow rate	Air Speed ¹	Air Press. ³	Price
1	351B	Invariable speed	3	400	3	Max 7.500	Max 85 ¹ ; 125 ²	980/642	
2	351B-VV	Variable speed by inverter		400	3				
3	402A	Invariable speed	4	400	3	Max 9.600	Max 85 ¹ ; 125 ²	882/535	
4	402A-VV	Variable speed by inverter		400	3				
5	401B	Invariable speed	5,5	400	3	Max 12.000	Max 105 ¹ ; 125 ²	686/143	
6	401B-VV	Variable speed by inverter		400	3				
7	Guarded version								
8	Adjustable H hydraulic trolley (H stroke 320 mm)								
9	Delivery nozzle								
10	RAL color of your choice (standard color: RAL 7044)								
11	NOTE: Power in kW, Voltage in Vac, Flow rate in m ³ /h, Speed in km/h, Pressure in Pa, Prices EXW and VAT excluded. ¹ free delivery; ² with delivery nozzle; ³ total pressure/static pressure								